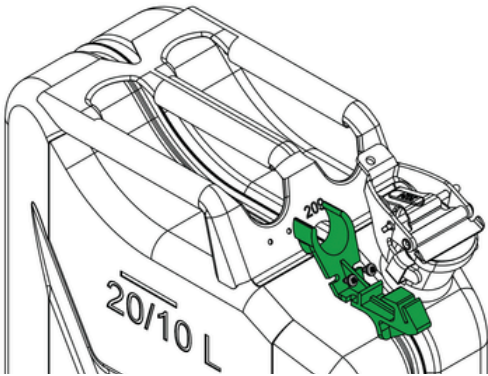
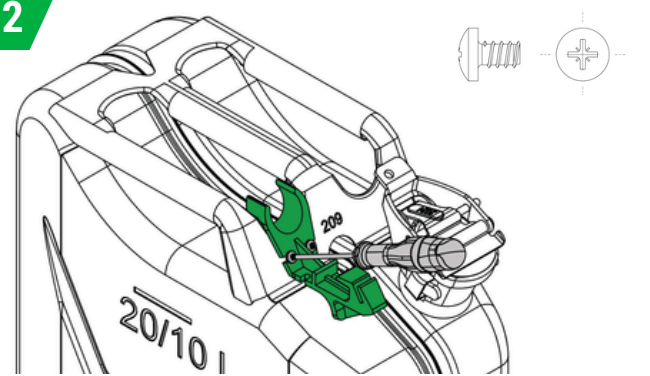


1



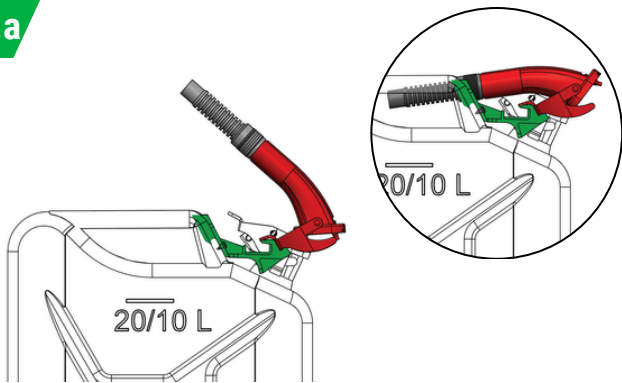
Attach the clip to the can at the indicated position

2



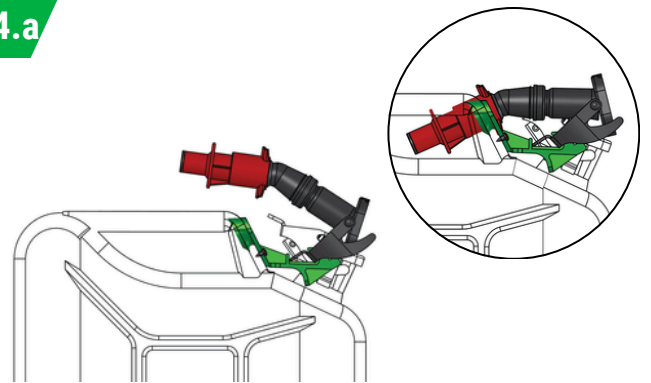
Screw the clip onto the can clockwise using a PZ2 screwdriver with the attached screws (DIN7981-Type(Z)-4.2x6.5, galvanized)

3.a



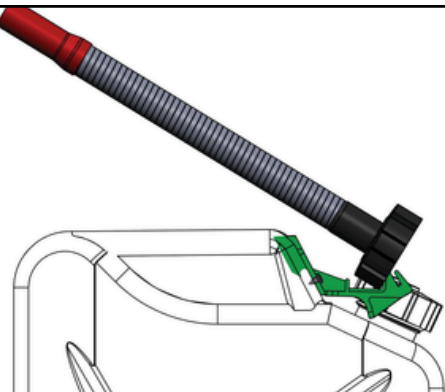
Hook **the Classic line** pouring sprout key into the clip and lock it

4.a



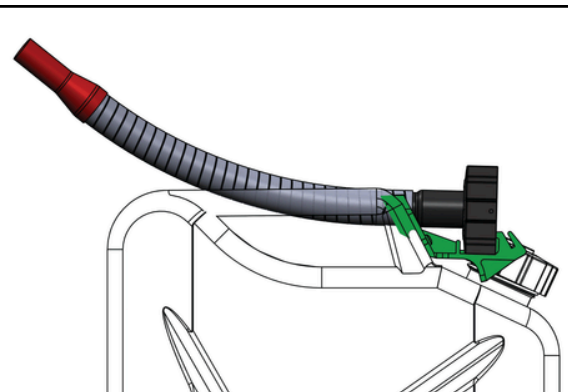
Insert the classic line *smart spout* key into the clip and lock it

3.b

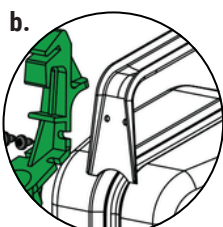
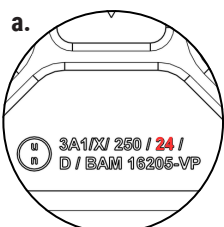
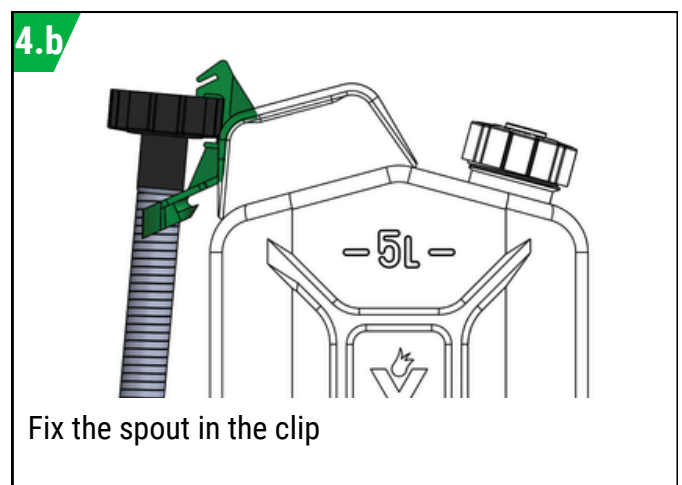
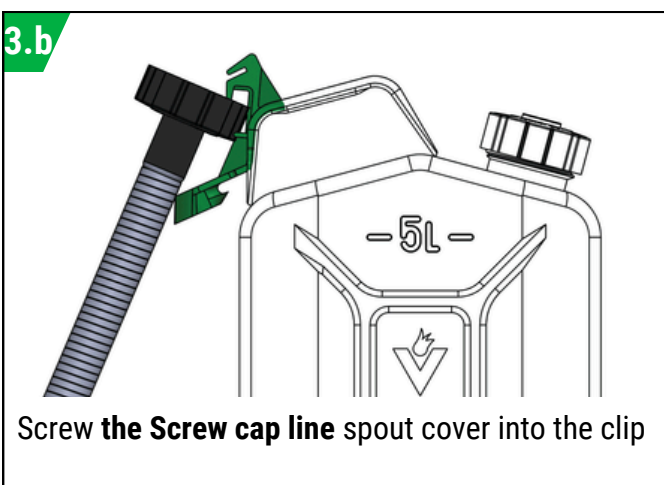
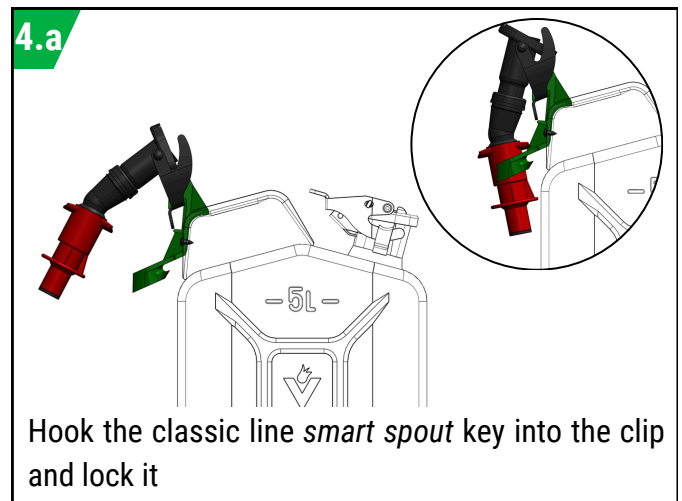
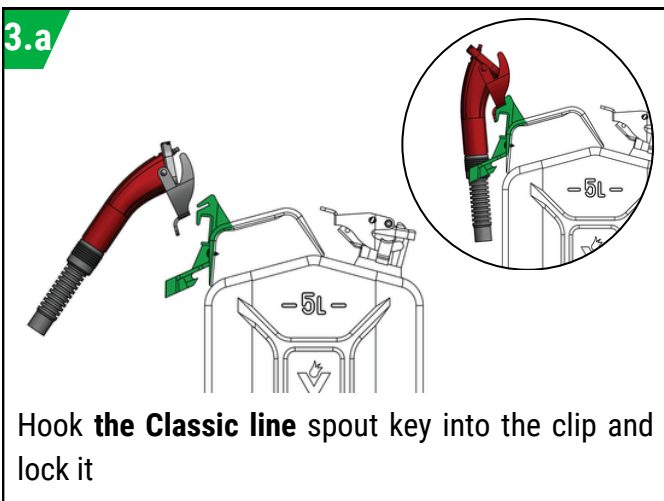
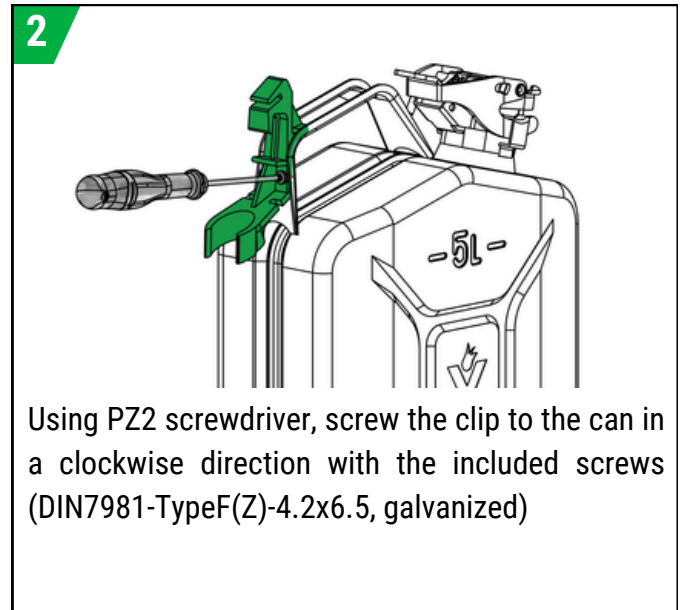
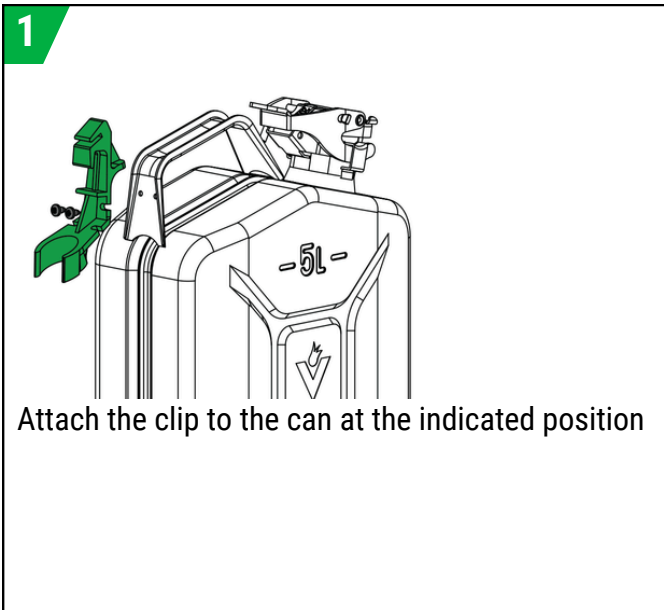


Hook **the Screw cap line** spout cover into the clip

4.b



Lock the spout in the clip



Cans without holes and manufactured before 2025 (see the marking on the side of the can - photo a) - Attach the clip, mark the points and drill two holes (\varnothing 3,5 mm) (photo b)