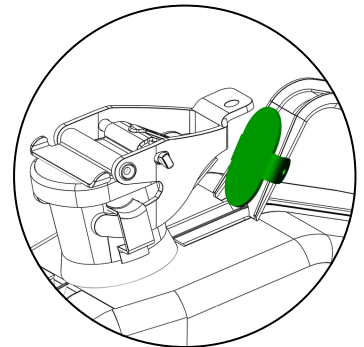
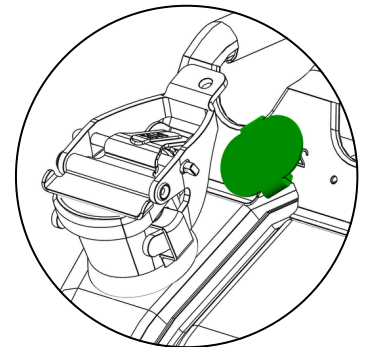
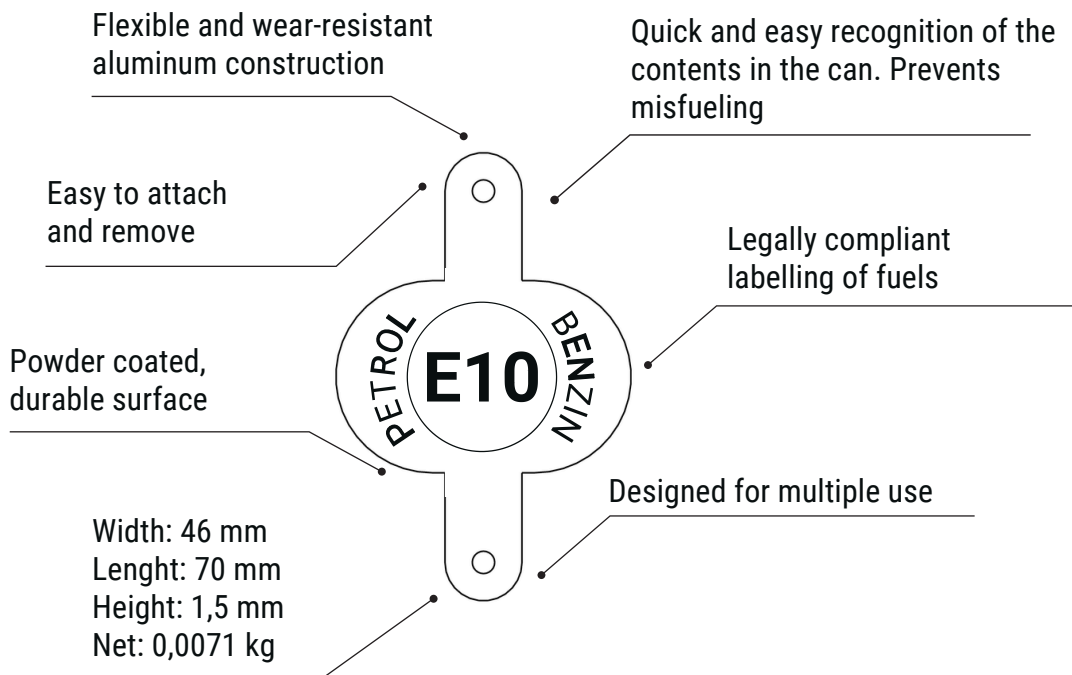


# DATASHEET

## PRODUCT 1136.00

### FUEL IDENTIFICATION TAG



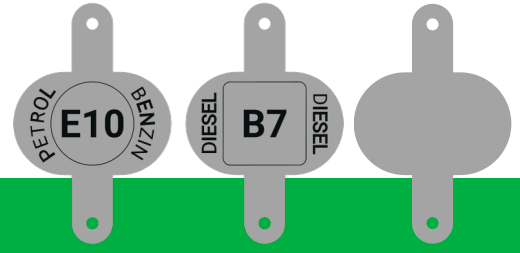
- **Available as sets** - one TAG is for diesel (DIESEL, B7), the other for petrol (PETROL, E10), and the third TAG is blank and intended for individual adjustment – the opportunity to write the content you want (oil, fuel mix, etc.)
- Legally compliant labelling of fuels in accordance with Directive 2014/94/EU. This legislation also apply for EEA countries and Macedonia, Serbia and Turkey
- Suitable for all types of VALPRO metal fuel cans
- For individual labeling, a standard permanent marker can be used
- Other coating and printing colours available on request according to the RAL catalogue



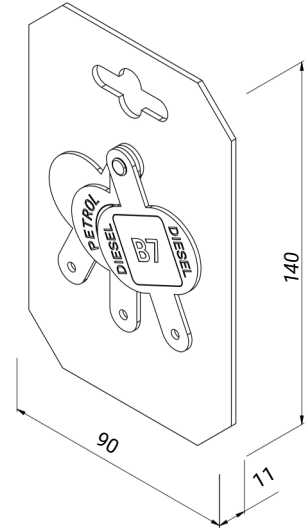
# DATASHEET - PACKAGING

## PRODUCT 1136.00

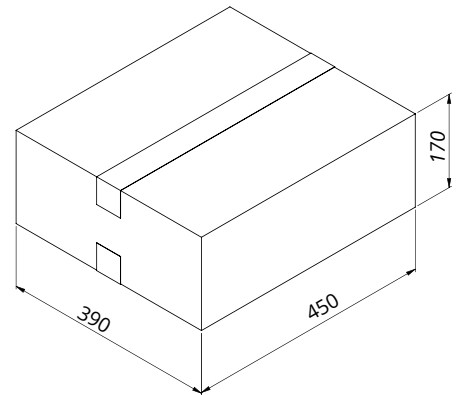
### FUEL IDENTIFICATION TAG



SPECIFICATION	PACKAGE
Number in package	3
Depth, mm	11
Width, mm	90
Height, mm	140
Net, kg	0,0213
Gross, kg	0,0307



SPECIFICATION	BOX
Number in the box	180
Depth, mm	390
Width, mm	450
Height, mm	170
Net, kg	3,84
Gross, kg	6,15



SPECIFICATION	PALLET
Number on the pallet	28 080
Boxes on the pallet	52
Length, mm	800
Width, mm	1200
Height, mm	2357
Net, kg	199,7
Gross, kg	345,6

